

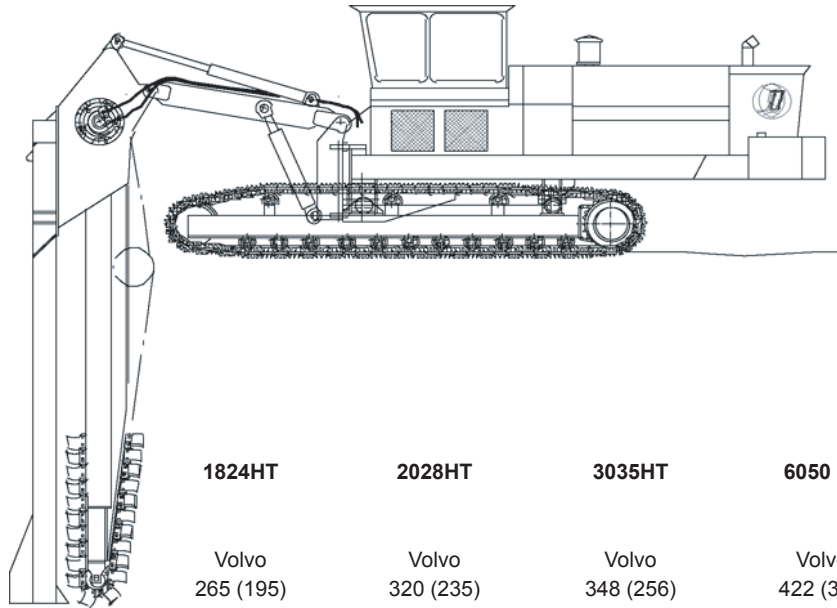
TRENCHER TYPE	1515HT	1622HT	1824HT	2028HT
ENGINE				
Make 1)	Volvo	Volvo	Volvo	Volvo
Engine power Hp. (kw)	160 (119)	265 (195)	320 (235)	348 (256)
Fuel tank capacity	150 Liter	300 Liter	350 Liter	475 Liter
Electrical system	24 Volt DC	24 Volt DC	24 Volt DC	24 Volt DC
TRACKS				
Propulsion	Independent	Independent	Independent	Independent
Transmission	Hydrost.	Hydrost.	Hydrost.	Hydrost.
Suspension	Oscill.	Oscill.	Oscill.	Oscill.
Type (equiv. cater.)	B1	D2	D4	D4
Length 2)	2,80 m.	3,80 m.	4,50 m.	4,80 m.
Width 2)	0,50 m.	0,60 m.	0,60 m.	0,60 m.
Ground pressure	0,30 kg/cm ²	0,30 kg/cm ²	0,30 kg/cm ²	0,31 kg/cm ²
DIGGING UNIT				
Max. speed	5,5 m/sec.	6 m/sec	6 m/sec.	6 m/sec.
Chaindrive	Hydr.	Hydr.	Hydr.	Hydr.
Digging angle	60°	60°	60°	60°/90°
Swivel	6°	6°	6°	6°
Tilt control	Automat.	Automat.	Automat.	Automat.
Pipe shute	Independent	Independent	Independent	Independent
Float control	Press. var.	Press. var.	Press. var.	Press. var.
PERFORMANCE				
Working speed	0-3,0 km/h	0-3,75 km/h	0-3,6 km/h	0-3,6 km/h
Travel speed	3,0 km/h	3,75 km/h	5,5 km/h	5,5 km/h
Digging depth (standard)	1,50 m.	1,60 m.	1,80 m.	2,10 m.
Digging depth 3) (max.)	1,80 m.	1,80 m.	2,10 m.	2,40 m.
Digging width 3) (min.)	0,13 m.	0,13 m.	0,13 m.	0,13 m.
Digging width 3) (max.)	0,50 m.	0,50 m.	0,50 m.	0,50 m.
SIZES AND WEIGHT				
Length	7,5 m.	10 m.	10 m.	10,30 m.
Width	2,00 m.	2,40 m.	2,65 m.	2,70 m.
Height (transp. pos.)	2,75 m.	2,95 m.	2,95 m.	2,95 m.
Weight (approx)	8,4 t.	12,5 t.	16 t.	18 t.

OPTIONS*

- 1) Other engine make
- 2) Longer, wider tracks
- 3) Different trench sizes
- Auto grade system
- Different cab. position
- Slope compensation
- Automatic transm.
- Spoil eject. by conv. belt

Inter-Drain *Sales* bv.

1 m. = 3,28 feet
1 ton = 2200 lbs



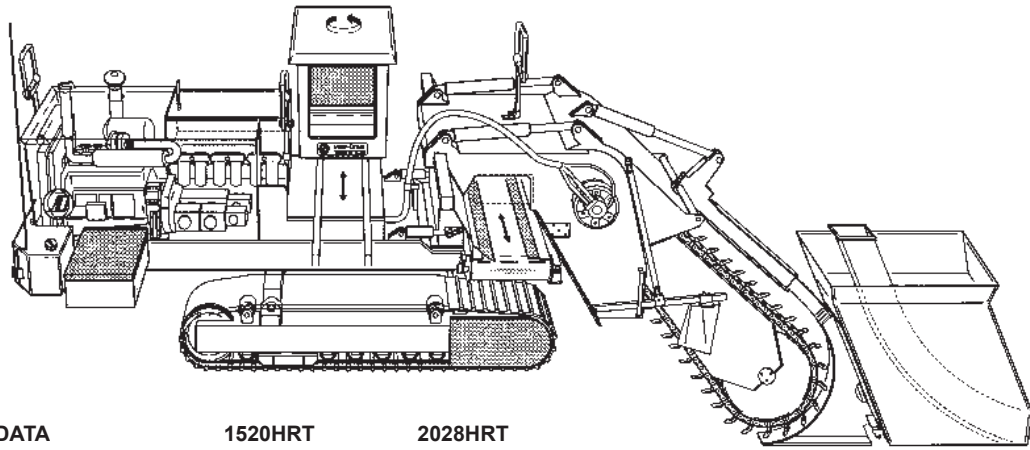
TRENCHER TYPE	1824HT	2028HT	3035HT	6050 HT
ENGINE				
Make 1)	Volvo	Volvo	Volvo	Volvo
Engine power Hp. (kw)	265 (195)	320 (235)	348 (256)	422 (310)
Fuel tank capacity	300 Liter	350 Liter	475 Liter	650 Liter
Electrical system	24 Volt DC	24 Volt DC	24 Volt DC	24 Volt DC
TRACKS				
Propulsion	Independent	Independent	Independent	Independent
Transmission	Hydrost.	Hydrost.	Hydrost.	Hydrost.
Suspension	Oscill.	Oscill.	Oscill.	Oscill.
Type (equiv. cater.)	D4	D4	D4	D5B
Length 2)	4,50 m.	4,80 m.	5,60 m.	5,80 m.
Width 2)	0,60 m.	0,60 m.	0,70 m.	0,70 m.
Ground pressure	0,30 kg/cm ²	0,31 kg/cm ²	0,31 kg/cm ²	0,31 kg/cm ²
DIGGING UNIT				
Max. speed	6 m/sec	6 m/sec.	6 m/sec.	6,5 m/sec.
Chaindrive	Hydr.	Hydr.	Hydr.	Hydr.
Digging angle	60°	60°	60°/90°	60°/90°
Swivel	6°	6°	6°	6°
Tilt control	Automat.	Automat.	Automat.	Automat.
Pipe shute	Independent	Independent	Independent	Independent
Float control	Press. var.	Press. var.	Press. var.	Press. var.
PERFORMANCE				
Working speed	0-3,6 km/h	0-3,6 km/h	0-3,6 km/h	0-3,6 km/h
Travel speed	5,5 km/h	5,5 km/h	5,5 km/h	5,5 km/h
Digging depth (standard)	1,80 m.	2,10 m.	2,10 m.	2,40 m.
Digging depth 3) (max.)	2,10 m.	2,40 m.	3,00 m.	6,00 m.
Digging width 3) (min.)	0,13 m.	0,13 m.	0,20 m.	0,20 m.
Digging width 3) (max.)	0,50 m.	0,50 m.	0,60 m.	0,60 m.
SIZES AND WEIGHT				
Length	10 m.	10,30 m.	11,50 m.	11,50 m.
Width	2,65 m.	2,70 m.	2,95 m.	2,95 m.
Height (transp. pos.)	2,95 m.	2,95 m.	3,10 m.	3,10 m.
Weight (approx)	16 t.	18 t.	22 t.	25 t.

OPTIONS*

- 1) Other engine make
- 2) Longer, wider tracks
- 3) Different trench sizes
- Auto grade system
- Different cab. position
- Slope compensation
- Automatic transm.
- Spoil eject. by conv. belt

Inter-Drain Sales bv.

1 m. = 3,28 feet
1 ton = 2200 lbs



TECHNICAL DATA	1520HRT	2028HRT
----------------	---------	---------

ENGINE

Make 1)	Volvo	Volvo
Power Hp. (kw)	235 (173)	265 (195)
RPM	2100	2100
Fuel tank capacity	300 L.	450 L.
Electrical system	24 Volt DC	24 Volt DC

TRACKS

Propulsion	Independent	Independent
Transmission	Hydrost.	Hydrost.
Suspension	Oscill.	Oscill.
Type (equiv. Cater.)	D2	D4
Length 2)	3,25 m.	3,60 m.
Width 2)	0,40 m.	0,60 m.
Ground pressure	0,5 kg/cm ²	0,5 kg/cm ²

DIGGING UNIT

Overload protection	Hydr.	Hydr.
Max. speed	5 m/sec.	5 m/sec.
Digging angle	0~60°	0~60°
Swivel	6°	6°
Tilt control	Automat.	Automat.
Pipe shute	Independent	Independent
Side shift	Stand.	Stand.
Conveyor	Hydr. dr.	Hydr. dr.

PERFORMANCE

Working speed	0-3,0 km/h	0-3,0 km/h
Travel speed	5 km/h	5 km/h
Digging depth (standard)	1,20 m.	1,50 m.
Digging width 3) (min.)	0,25 m.	0,25 m.
Digging width 3) (max.)	0,50 m.	0,50 m.

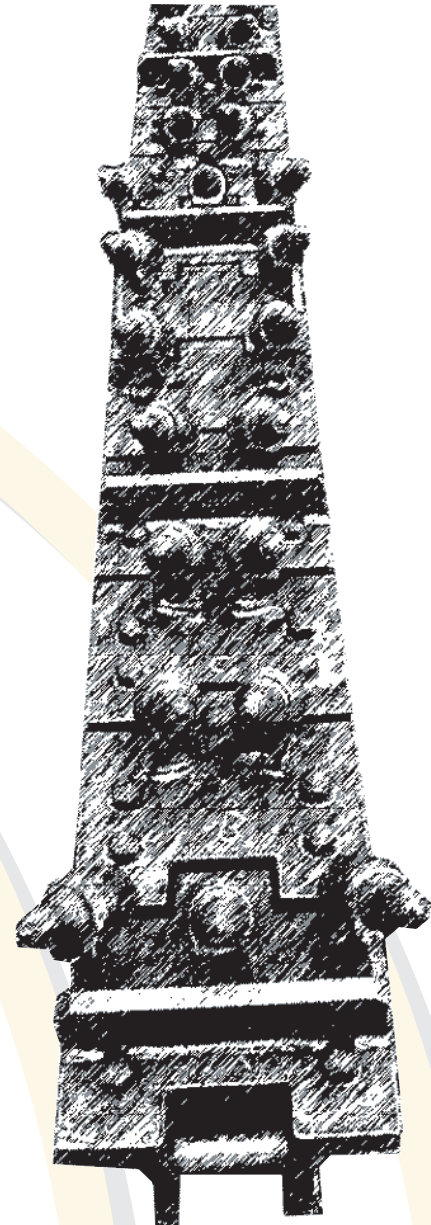
SIZES AND WEIGHT

Length	8,5 m.	9,0 m.
Width	2,2 m.	2,6 m.
Height (transp. pos.)	2,0 m.	2,0 m.
Weight (approx)	14 t.	18 t.

OPTIONS

- 1) Other engine make
- 2) Longer, wider tracks
- 3) Different trench sizes
- Auto grade system
- Different cab. position
- Spoil eject. by conv.belt

1 m. = 3,28 feet
1 ton = 2200 lbs



Inter-Drain *Sales* bv.