

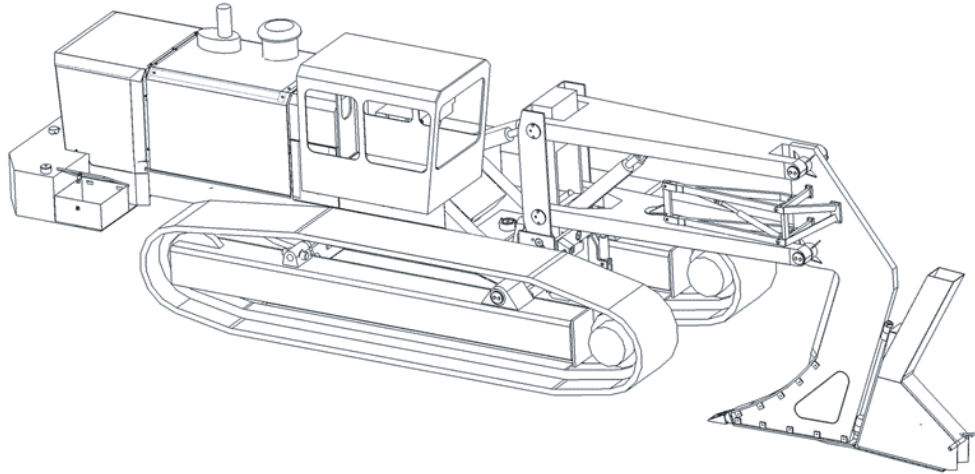
PLOUGH TYPE	2030 GP	2040GP	2050GP
MOTOR			
Make 1)	Volvo	Volvo	Volvo
Engine power Hp. (kw)	350 (257)	422 (311)	505 (371)
Fuel tank capacity	850 L.	1000 L.	1000 L.
Electrical system	24 Volt	24 Volt	24 Volt
TRACKS			
Propulsion	Independent	Independent	Independent
Transmission	Hydrost.	Hydrost.	Hydrost.
Suspension	Oscill.	Oscill.	Oscill.
Type (equiv. Cater.)	D5B	D5B/D7	D7G
Length 2)	6 m.	6 m.	6 m.
Width 2)	0,76 m.	0,80 m.	0,80 m.
Ground pressure	0,33 kg/cm ²	0,37 kg/cm ²	0,40 kg/cm ²
PLOUGH			
Depth regulating system	Double parall.	Double parall.	Double parall.
Type	I-V	I-V	I-V
Swivel	6°	6°	6°
Tilt control	Automat.	Automat.	Automat.
Float control	Press.var.	Press.var.	Press.var.
PERFORMANCE			
Working speed	0-3 km/h	0-3,2 km/h	0-3,5 km/h
Travel speed	5 km/h	5,5 km/h	5,5 km/h
Depth (average)	1,00-1,50 m.	1,20-1,60 m.	1,20-1,80 m.
Depth (max.)*	1,80 m.	2,00 m.	2,00 m.
Pipe sizes up till*	Ø 0,20 m. (Vø 0,12 m.)	Ø 0,20 m.	Ø 0,20 m.
Theor. Drawbar pull (approx.)	30 t.	37 t.	55 t.
SIZES AND WEIGHT			
Length	9,5 m.	10 m.	10 m.
Width	2,95 m.	3,2 m.	3,2 m.
Height (transp. pos.)	3,1 m.	3,25 m.	3,25 m.
Weight (approx.)	28 t.	32 t.	34 t.

OPTIONS

- 1) Other engine make
- 2) Longer, wider tracks
- 3) Multi. Plough: I/V-shape
- Slope compensation
- Auto grade system
- Company colours

1 m = 3,28 feet
1 ton = 2200 lbs

Inter-Drain *Sales* bv.



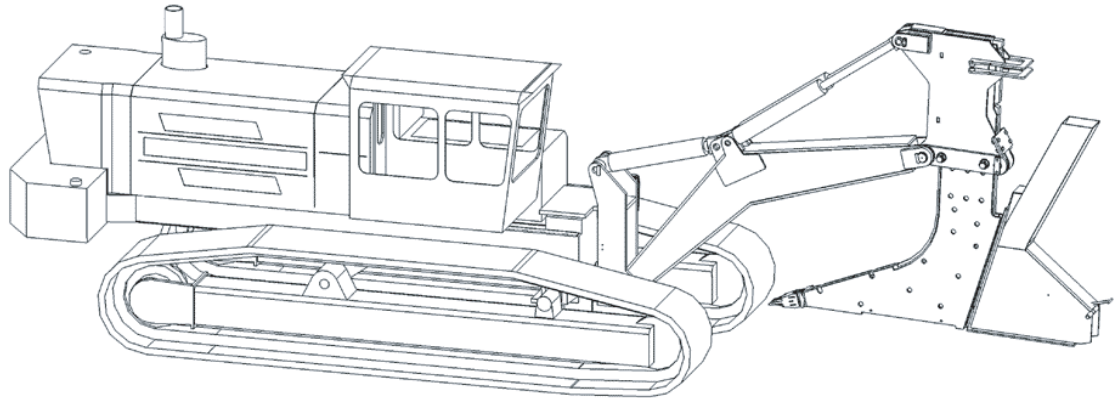
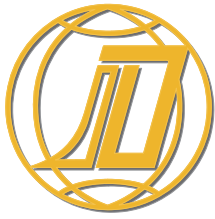
PLOUGH TYPE	2030TL	2040TL	2050TL
ENGINE			
Make 1)	Volvo	Volvo	Volvo
Power Hp. (kw)	350 (257)	422 (310)	505(371)
Fuel tank capacity	850 L.	1000 L.	1000 L.
Electrical system	24 Volt	24 Volt	24 Volt
TRACKS			
Propulsion	Independent	Independent	Independent
Transmission	Hydrost.	Hydrost.	Hydrost.
Suspension	Oscill.	Oscill.	Oscill.
Type (equiv. cater)	D5B	D5B/D7	D7G
Length 2)	6 m.	6 m.	6 m.
Width 2)	0,76 m. (2' 4")	0,80 m.	0,80 m.
Ground pressure	0,33 kg/cm ²	0,37 kg/cm ²	0,40 kg/cm ²
PLOUGH			
Depth regulating system	Single bar.	Single bar.	Single bar.
Type	I-V	I-V	I-V
Swivel	6°	6°	6°
Tilt control	Automat.	Automat.	Automat.
Float control	Press. Var	Press. Var	Press. var.
PERFORMANCE			
Working speed	0-3 km/h	0-3,2 km/h	0-3,5 km/h
Travel speed	5 km/h	5,5 km/h	5,5 km/h
Depth (average)	1,00-1,50 m.	1,20-1,60 m.	1,20-1,80 m.
Depth (max.)*	1,80 m.	2,00 m.	2,00 m.
Pipe sizes up till*	Ø 0,20 m.	Ø 0,20 m.	Ø 0,20 m.
Theor. drawbar pull (approx.)	30 t.	37 t.	37 t.
SIZES AND WEIGHT			
Length	9,6 m.	10 m.	10 m.
Width	2,95 m.	3,2 m.	3,2 m.
Height (transp. Pos.)	3,1 m.	3,25 m.	3,25 m.
Weight (approx)	28 t.	32 t.	34 t.

OPTIONS

- 1) Other engine make
- 2) Longer, wider tracks
- Auto grade system
- Multi. plough
- V-shape plough
- Company colours

1 m. = 3,28 feet
1 ton = 2200 lbs

Inter-Drain Sales bv.



PLOUGH TYPE	2030SP	2040SP
ENGINE		
Make 1)	Volvo	Volvo
Power Hp. (kw)	350 (260)	422 (310)
Fuel tank capacity	850 L.	1000 L.
Electrical system	24 Volt	24 Volt
TRACKS		
Propulsion	Independent	Independent
Transmission	Hydrost.	Hydrost.
Suspension	Oscill.	Oscill.
Type (equiv. cater)	D5B	D5B/D7
Length 2)	6 m.	6 m.
Width 2)	0,76 m. (2' 4")	0,80 m.
Ground pressure	0,27 kg/cm ²	0,30 kg/cm ²
PLOUGH		
Depth regulating system	Single bar.	Single bar.
Type	I	I
Swivel	6°	6°
Tilt control	Automat.	Automat.
Float control	Press. Var	Press. Var
PERFORMANCE		
Working speed	0-3 km/h	0-3,2 km/h
Travel speed	5 km/h	5,5 km/h
Depth (average)	1,00-1,50 m.	1,20-1,60 m.
Depth (max.)*	1,80 m.	2,00 m.
Pipe sizes up till*	Ø 0,20 m.	Ø 0,20 m.
Theor. drawbar pull (approx.)	30 t.	37 t.
SIZES AND WEIGHT		
Length	9,5 m.	10 m.
Width	2,95 m.	3 m.
Height (transp. Pos.)	3,1 m.	3,25 m.
Weight (approx)	25 t.	28 t.
OPTIONS		
1) Other engine make		
2) Longer, wider tracks		
Auto grade system		
Multi. plough		
V-shape plough		
Company colours		

Inter-Drain Sales bv.

1 m. = 3,28 feet
1 ton = 2200 lbs